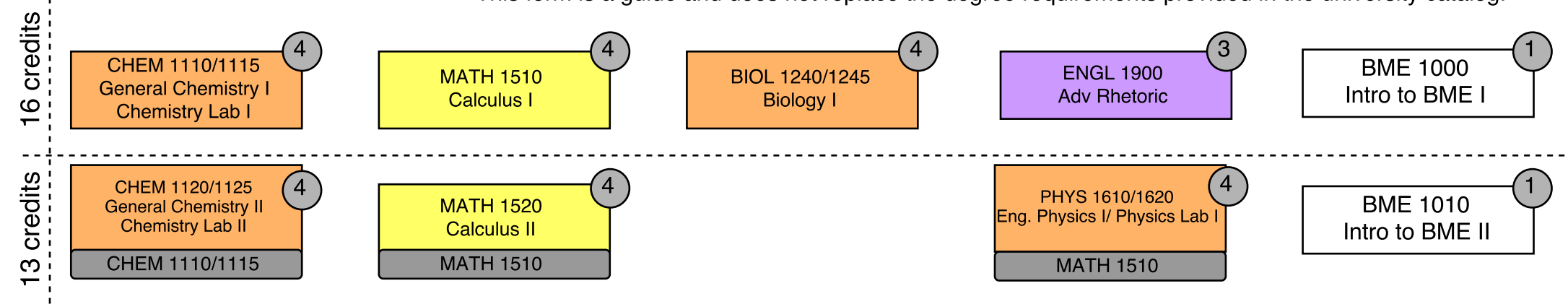


# Saint Louis University Bachelor of Science in Biomedical Engineering

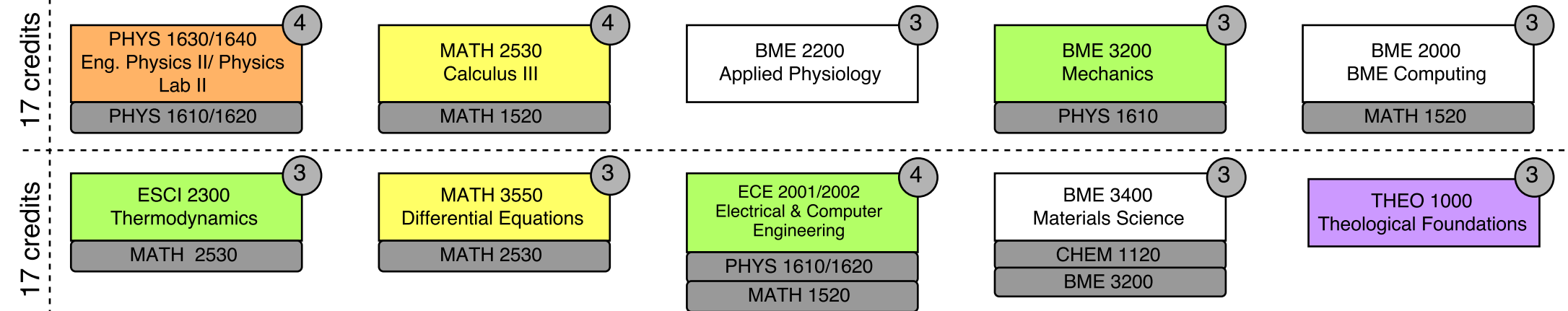
## General Degree Track 4-Year Plan

\* This form is a guide and does not replace the degree requirements provided in the university catalog.

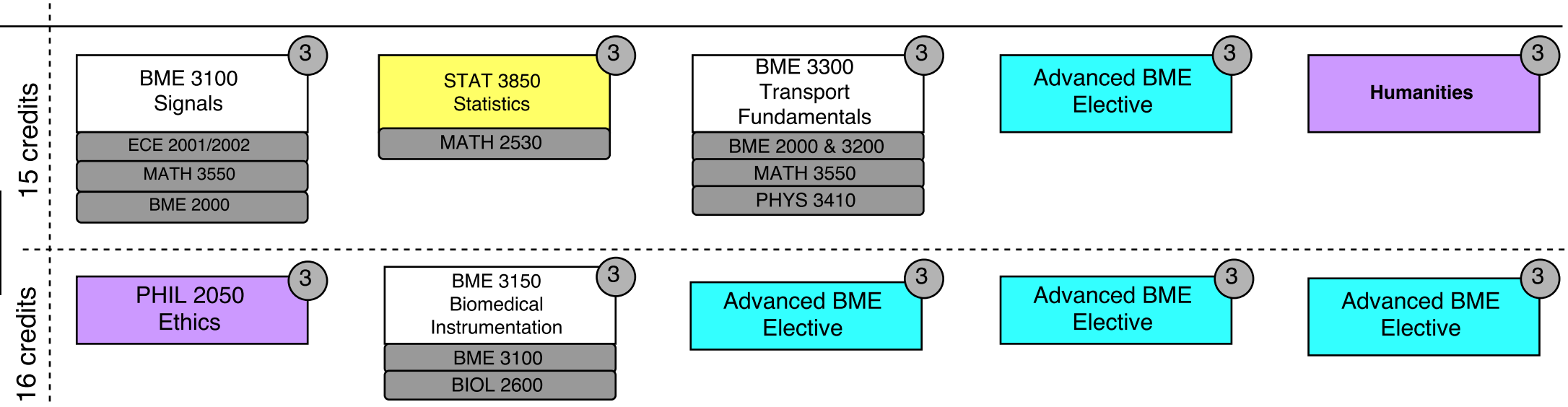
**Year 1**



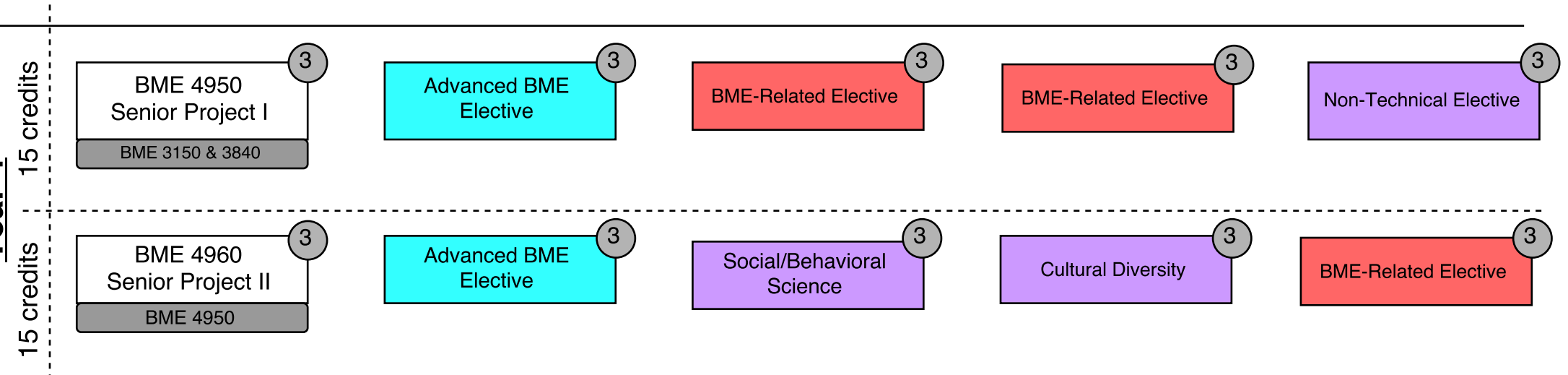
**Year 2**



**Year 3**



**Year 4**



### Legend

Course  
Course Title  
Prerequisites

3  
|  
3

Credits

\*\* Indicates a Co-Requisite Course

**Advanced BME Fall:** Biomedical Signals, Biomaterials, Quantitative Physiology I, Tissue Engineering, Brain Computer Interface

**Advanced BME Spring:** Biomechanics, Biotransport, Drug Delivery, Medical Imaging, Human Movement Biomechanics, Q P II

### Color Code

	Sciences
	Mathematics
	Basic Engineering
	BME Core
	Other Courses
	BME-Related Electives
	Advanced BME Electives